





A close-up, low-angle shot of the ffuuss hand dryer. The device is composed of several overlapping, curved, light-colored plastic layers that create a sense of depth and modern design. The top layer is slightly offset to the right, revealing the layer beneath. The lighting is soft and even, highlighting the smooth texture of the plastic. The background is a plain, light-colored wall.

# ffuuss™

## USER MANUAL

This USER MANUAL includes the necessary instructions for installing the ffuuss™ hand dryer and the warranty documents.  
Read and keep these instructions.

## TECHNICAL SPECIFICATIONS

Electric system		
Input voltage:	220-240 V	120 V
Frequency:	50/60 Hz	50/60Hz
Nominal power:	1100 W	1000 W
Electric current:	5 A	9 A
Type of motor:	Universal with Preheat*	Universal with Preheat*
Motor speed:	23000 RPM	21500 RPM
Working temperature:	40 °C/ 104 °F	40 °C/ 104 °F
*: Air Preheat feature patented by ffuuss™		
Manufacturing		
Cover material: ABS Treated with Biomaster Silver Biocide antibacterial additive Finish: Various colours Mounting bracket: Galvanized steel Water inlet protection: IPX2 Filter: HEPA H13		
Operation		
Automatic activation Hand drying time: 12 seconds Blocking time: 25 seconds Airflow: Up to 73 l/s (19,3 gal/s)		
Logistics		
Net weight: 7.3 Kg (16,1 lb) Assembled weight: 8.8 Kg (19,4 lb) Box dimensions: 690mm / 360mm / 285mm (H27 <sup>1</sup> / <sub>64</sub> " W14 <sup>1</sup> / <sub>64</sub> " D11 <sup>1</sup> / <sub>32</sub> "		
Regulations		
This unit complies with the following the European directives/normatives: 1999/5/CE 2004/108/CE 2006/95/CE 2002/96/CE 2011/65/CE 1275/2008.2009/125/EU		
  		
Others		
This unit has  Bluetooth™ technology		
Standard warranty		
5 years for parts and 1 year for labour (see conditions)		

NOTE: ffuuss™ reserves the right to make changes without prior notice.

## INSTRUCTIONS FOR INSTALLING THE ffuuss™ HAND DRYER ON THE WALL

### Important safety information. Read before proceeding.

The installation and electrical wiring work must be undertaken by a qualified person or persons in accordance with all applicable codes and standards, including fire prevention.

The USER MANUAL can be downloaded from our website.

### ▲ WARNING: To ensure the correct functioning of the ffuuss™ hand dryer:

After installing the unit or each time the unit is restarted after an electrical disconnection, an automatic calibration of the capacitive sensors is performed which lasts for 6 minutes. In order that this calibration is performed correctly, the unit should not be handled, activated or any object be brought close to its near vicinity, during this time.

NOTE: ffuuss™ reserves the right to make changes without prior notice.

### ▲ WARNING: Before starting any installation work, you must check the following:

The installation must be designed to be able to disconnect the device with a disconnection element separating all the contact points by at least 3mm.

Make sure the electricity supply has been disconnected or turned off before starting installation to avoid electrocution or electric shock.

Make sure there are no pipes (gas, water, air) electric cables, wires or ducts directly behind the drilling areas.

Before accessing the interior of the device, make sure you disconnect the power.

### ▲ WARNING: Risk of electric shock!

Do not remove the cover or attempt to repair unless qualified personnel are servicing the unit. If the cover is removed or handled incorrectly, the internal elements of the ffuuss™ hand dryer may cause damage or become permanently damaged.

### ▲ WARNING: In order to avoid the risk of fire or electric shock, do not expose the elements and the internal mechanisms of this unit to rain or humidity.

Check the power supply matches the specifications on the plate located in the back of the unit.

If this unit is connected to any power supply different to the one specified on the specifications plate of the unit, this may result in permanent damage to or the unsafe and incorrect functioning of the ffuuss™ hand dryer.

All wiring and electrical work must be performed by a qualified electrician in accordance with the rules and applicable federal, state and local laws, including fire prevention.

According to local wiring regulations, a system for disconnecting the poles in the fixed wiring of the device should exist.

These instructions must be read carefully before trying to install the ffuuss™ hand dryer.

Not following the installation instructions exactly may result in the malfunction of the ffuuss™ hand dryer, damage to property or even personal injury.

ffuuss™ shall not be liable for property damage or personal injury that may result from failure to comply with these instructions.

Not following these instructions will void this product's warranty. See the user section for warranty details.

### ▲ WARNING Safety and use:

Children over 8 years can use this hand dryer ffuuss™, as well as people having reduced capabilities (physical, sensorial, mental) but only in the case they had received proper surveillance and training on the use of the equipment, in order to make them understand what is the safe use of the hand dryer ffuuss™ and its potential dangers. Children should always be under the supervision of an adult to avoid them playing with the device. An adult must do cleaning and maintenance of the equipment and it is forbidden to the children.

This equipment has been designed for efficient and quick hand drying. Do not attempt to dry any other part of the body.

### ▲ WARNING: The ffuuss™ hand dryer has a built-in pre-heat\* system that delivers energy savings and, therefore, does not have a Stand-by function.

\*:Air pre-heat feature patented by ffuuss™.

### ▲ WARNING: To reduce the risk of fire, electric shock or personal injury, follow the steps detailed below:

- 1- Use this unit only as instructed by the manufacturer. If in doubt, contact the manufacturer.
- 2- Before cleaning or servicing the unit, make sure the power supply is cut by disconnecting the fixed wiring to the ffuuss™ hand dryer to ensure the machine is not switched on accidentally or to avoid an electric shock that may occur during its repair or maintenance.
- 3- Any installation or wiring work must be undertaken by qualified personnel in accordance with the codes and standards in force.
- 4- When cutting or drilling into the wall, do not damage the electrical wiring or other hidden services.

## GENERAL NOTES

The instructions included in the attached installation manual must be followed carefully when installing a ffuuss™ hand dryer.

ffuuss™ will not be liable for any damage to property or personal injury or death resulting from non-compliance with the instructions contained herein and in the installation manual.

Make sure your ffuuss™ hand dryer works properly before allowing the public to use it.

Do not use the ffuuss™ hand dryer for any purpose other than drying hands.

Using authentic ffuuss™ spare parts can extend the correct and safe functioning of your unit.

### ▲ WARNING

This product may contain substances known to the State of California to cause cancer, birth defects or other reproductive problems. Wash your hands after installing or repairing the ffuuss™ hand dryer.

### ▲ WARNING

For the fulfillment of the ADA norm, it must follow the guidelines of installation that are attached in every unit; in addition, it must be installed in an area with a free space of 760 mm (30") and of 1220 mm (48"). This area can overlap a circulation zone, but cannot superpose over other access areas required. Single use restrooms can overlap access areas since they are used by one person at a time.

**NOTE:** ffuuss™ reserves the right to make changes without prior notice.

## HOW TO USE

Insert hands in the drying cavity of the ffuuss™ handdryer in order to activate the air flow. Leave hands in the drying cavity until the cycle is completed.

## CLEANING THE DEVICE.

### Surfaces.

Only clean the surfaces of the ffuuss™ hand dryer with a damp cloth. Do not use abrasive or caustic products.

## MAINTENANCE ADVISE.

### Air intake.

Regularly check the HEPA H13 filter located in the base of the ffuuss™ hand dryer, and ensure that it is free of dust, rubbish or any particles. Changed it when necessary, at least once a year. Also, ensure that all surfaces of the ffuuss™ hand dryer are kept clean in order to allow a proper functioning of the unit.

## TEST

Make sure that the ffuuss™ hand dryer is connected to the electrical supply. Once plugged in wait for 6 minutes. Insert your hands in the drying cavity to start the air flow in the ffuuss™ hand dryer. Withdraw hands, and the unit will automatically stop.

## TROUBLESHOOTING.

**IMPORTANT:** TURN OFF THE ELECTRICAL SUPPLY TO THE ffuuss™ BEFORE SERVICING IT.

Problem	Action	If the problems persist
The ffuuss™ hand dryer does not start.	Make sure the ffuuss™ hand dryer and the wiring are properly connected. If not properly connected, contact the installer.	Contact your distributor, or use the contact email <a href="mailto:aftersales@ffuuss.com">aftersales@ffuuss.com</a> , or the telephone +34 902 883083
The ffuuss™ hand dryer starts and turns off erroneously.	Check that there are no obstructions or barriers in the drying cavity. If there are, withdraw them.	
Sometimes the ffuuss™ hand dryer turns off when it is in use and then starts again after a while.	Proceed to reinitiate the dryer disconnecting it from the electrical supply. Once it is plugged in again, wait for 6 minutes before using it.	
The ffuuss™ hand dryer continues to function after hands have been removed.	A 2 second delay after hands have been removed is acceptable.	
The ffuuss™ hand dryer is not drying hands properly.	Verify and clean any obstructions in the inlet and monitor the state of the HEPA filter. Follow the maintenance recommendations	
The ffuuss™ hand dryer works only for a couple of seconds and then it turns off.	Check that there are no objects or barriers in the drying cavity. If there are withdraw them.	
Water accumulates in the base of the ffuuss™ hand dryer.	Make sure the drain outlet is not blocked. If it is, clean and unblock it with the brush.	
The ffuuss™ hand dryer reflects a red spot on the floor.	The water tank is full. Empty it and put it back. The red light will turn off.	
The ffuuss™ hand dryer reflects a red spot on the floor and all the lights of the viewer are turned off.	Call or contact your dealer.	

## WARRANTY

Thank you for purchasing a ffuuss™ product.

If you have any questions relating to your ffuuss™ hand dryer contact us at the following email address: info@ffuuss.com. Before contacting us, please make sure you know your ffuuss™ hand dryer's serial number and have a copy of your purchase invoice. If you need the assistance of a technician or spare parts, we will put you in touch with a ffuuss™ authorized dealer.

If your ffuuss™ hand dryer is under warranty and the repair is covered by it, ffuuss™ will not charge the owner of the unit for the spare part/s for a period of 5 years or 250,000 cycles. During the first year, ffuuss™ guarantees that the owner of the ffuuss™ hand dryer will not be charged for labour.

The owner of the ffuuss™ hand dryer shall be responsible for guaranteeing access to the product for warranty repairs of the ffuuss™ hand dryer. All parts replaced by ffuuss™ or its authorised dealers during the first year will be owned by ffuuss™.

## 5 YEARS LIMITED WARRANTY ON PARTS

All the original factory parts of your ffuuss™ hand dryer are guaranteed against material defects and workmanship when used in accordance with the User Manual, for a period of FIVE years.

The FIVE-year limited warranty on parts starts on the date of purchase or on the date of delivery (whichever takes place last).

Under this warranty, the owner of the unit must provide proof of purchase in order to obtain parts for repairs. Without this proof, the owner of the ffuuss™ hand dryer shall be responsible for the payment of all spare parts supplied by ffuuss™ or its authorised dealers or services, at a general rate.

All standard spare parts can be replaced by ffuuss™ or its authorised dealers at an additional cost and at general rates.

## ADDITIONAL LIMITED WARRANTY ON LABOUR DURING THE FIRST YEAR

This warranty become effective on the date of purchase of the ffuuss™ hand dryer and ends after ONE year.

It covers all the labour required to ensure the correct functioning of the ffuuss™ hand dryer at no extra cost to the owner. Under this warranty all repairs must be undertaken by ffuuss™ or its authorised dealers.

All labour costs incurred from the replacement of defective parts after the one-year limited warranty on labour has expired are the sole responsibility of the owner of the ffuuss™ hand dryer.

ffuuss™ shall NOT be responsible for:

- Costs incurred as a result of the purchase of a ffuuss™ hand dryer from a non-authorized dealer.
- Any damage (accidental or not) caused by negligent use or misuse, negligence, incorrect use, incorrect repair or maintenance of the unit, or not using the ffuuss™ hand dryer as per the User Manual.
- Using parts not in compliance with the User Manual of the ffuuss™ hand dryer.
- Obstructions other than those caused by the normal use of water and soap. For other types of obstructions, consult ffuuss™ for technical advice.
- External causes such as rain, no electricity and electric power overload.
- Repairs or modifications carried out by personnel NOT authorised by ffuuss™.
- Problems that derive from the incorrect installation of the unit.
- Use of parts or spare parts not supplied by ffuuss™ or its authorised dealers.
- Parts or spare parts not installed in accordance with the ffuuss™ instructions.

- Repairs or modifications not carried out by ffuuss™ or an authorised dealer.

- Problems caused by acts of God or circumstances beyond the control of ffuuss™.

## WARRANTY SERVICE

Complete and submit the ffuuss™ hand dryer registration form or register online at [www.ffuuss.com](http://www.ffuuss.com)

Before performing any service operation, the warranty terms require that the serial number and the date of purchase of the ffuuss™ hand dryer be reported beforehand.

## OTHER WARRANTY LIMITATIONS AND EXCLUSIONS

This warranty gives you specific legal rights and you may have other rights that vary per country.

The ffuuss™ warranties described herein are not transferable.

## ♻️ PACKAGING

The packaging protects the product during its transport and storage and is made of recyclable materials. As soon as the packaging is no longer needed, please dispose of it using the recycling facilities in your community.

## ⚠️ OLD UNITS

This product includes electrical parts and that is why it has been marked with the symbol RAEE (WEEE) according to European Standards. We recommended you dispose this product according to the regulations in your country. At time of disposal, these parts need to be managed.

### WARRANTY CARD

PRODUCT MODEL

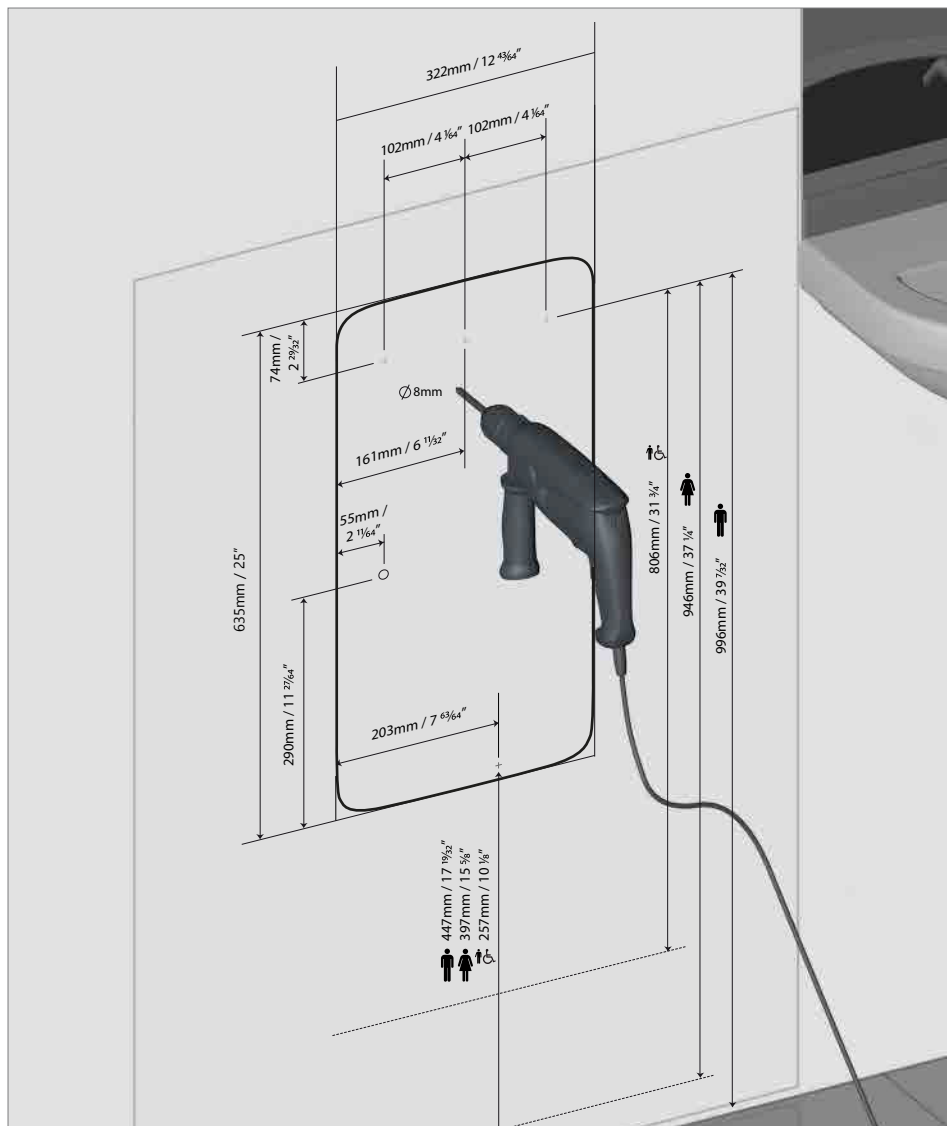
PRODUCT SERIAL NUMBER

DEALER NAME AND SEAL

DATE OF PURCHASE

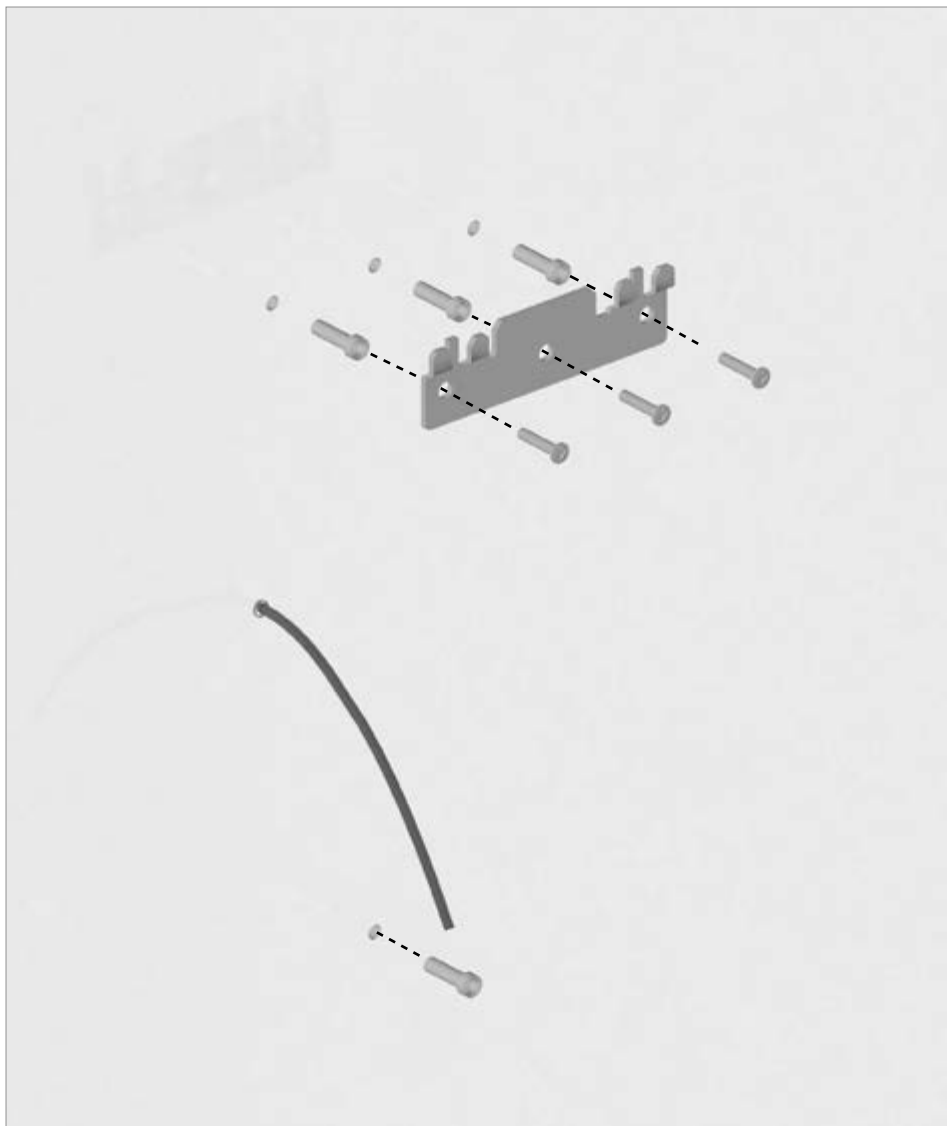
USER NAME AND ADDRESS

**NOTE:** ffuuss™ reserves the right to make changes without prior notice.



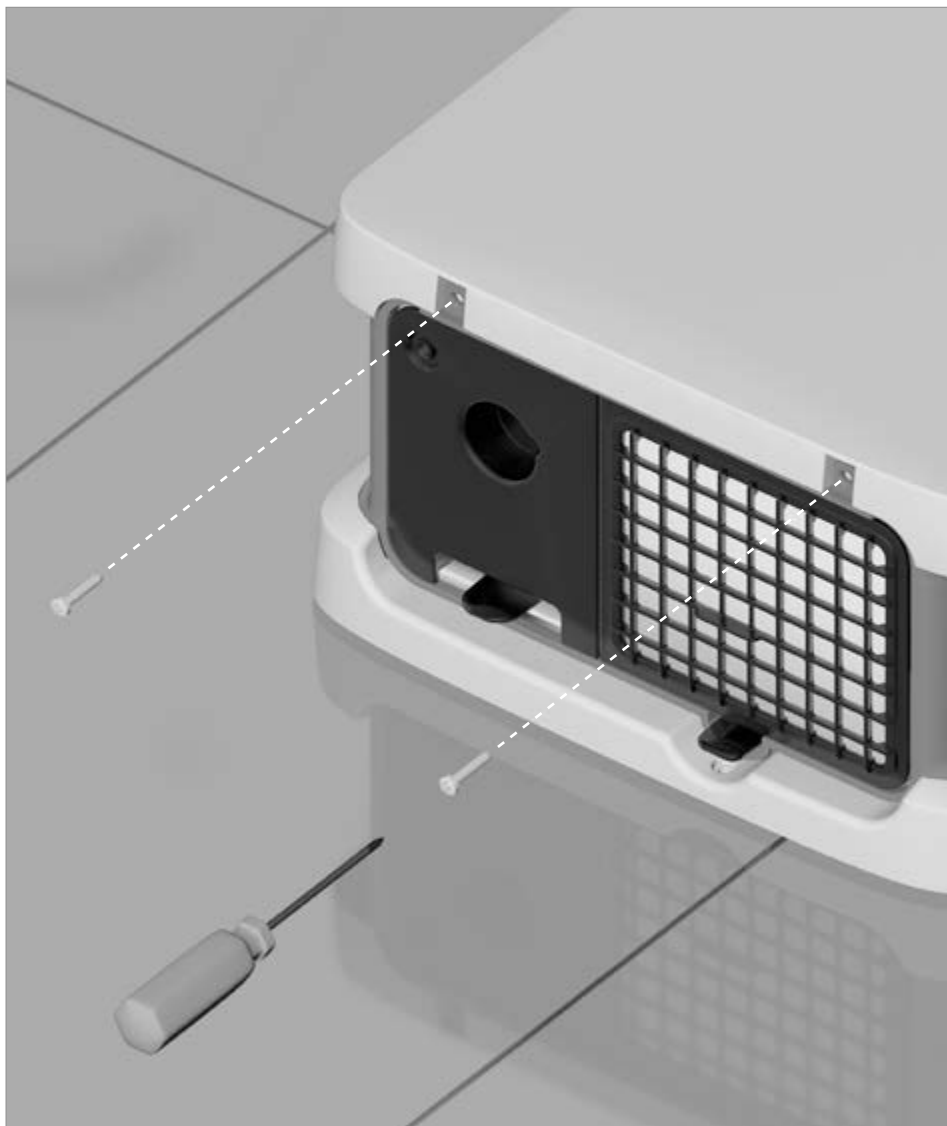
Place the hand dryer ffuuss™ template against the wall where it will be installed and make the holes according to the diagram. Check beforehand if there is a direct cable to the electricity network or if the hand dryer has to be connected using a plug.

Make sure that the dryer is installed according to construction standards, as well as any codes and local and national rules regarding accessibility. It is the responsibility of the installer to comply with these.

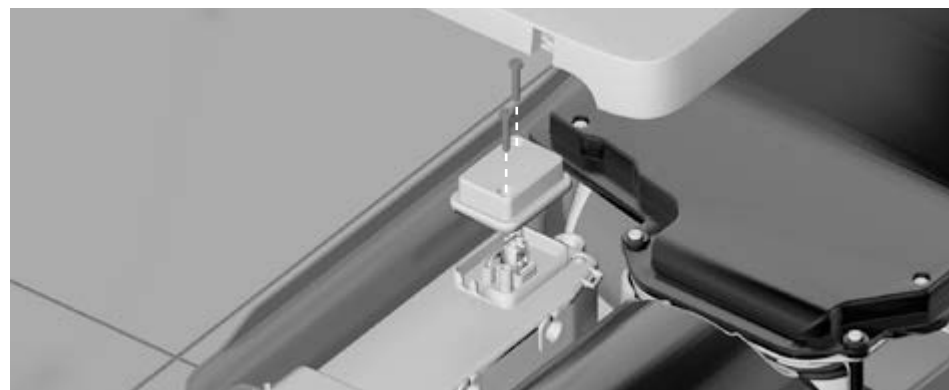


Once the marks have been made, attach the mooring to the wall and prepare the cable to the electricity network.

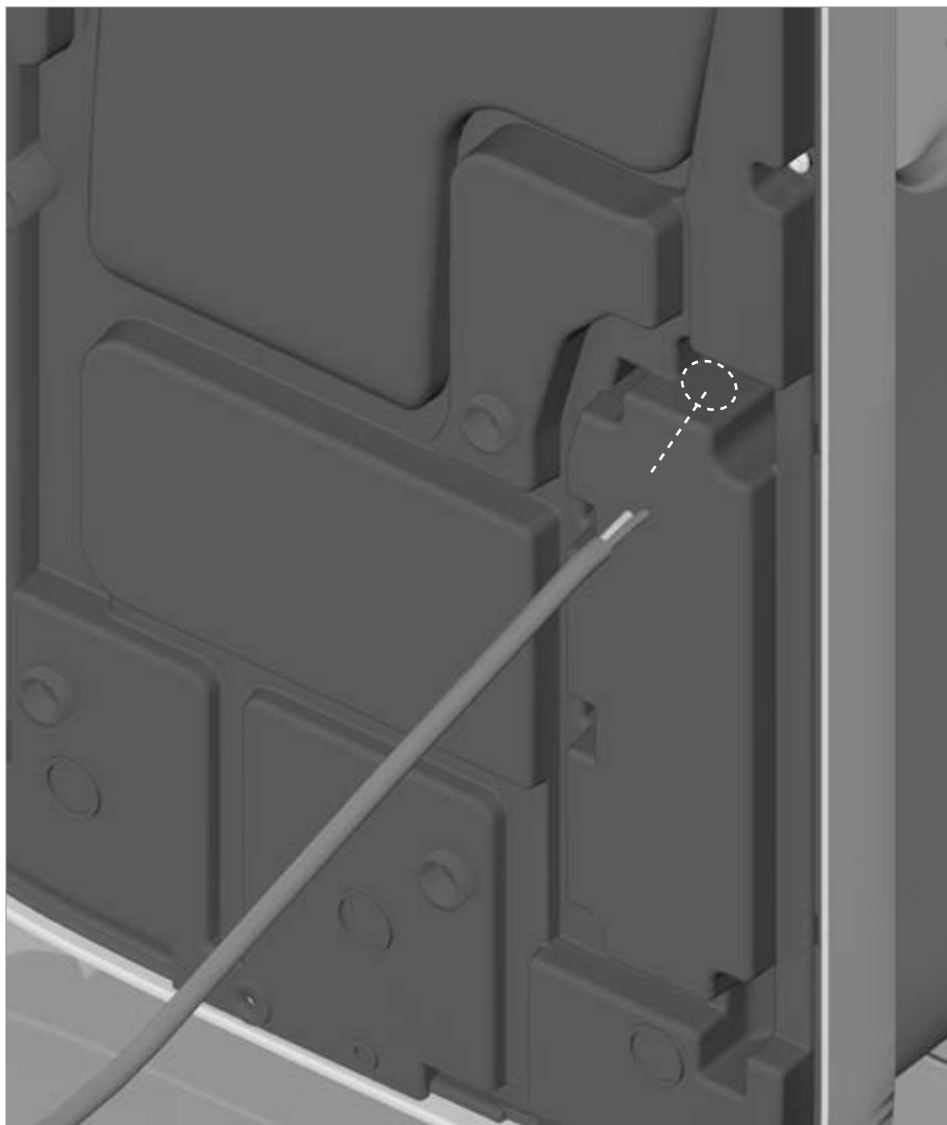




Take the ffuuss™ hand dryer from its packaging and open the front cover to install the electricity cable. Open the cover of the connector box which is where the cable to the network will be installed.





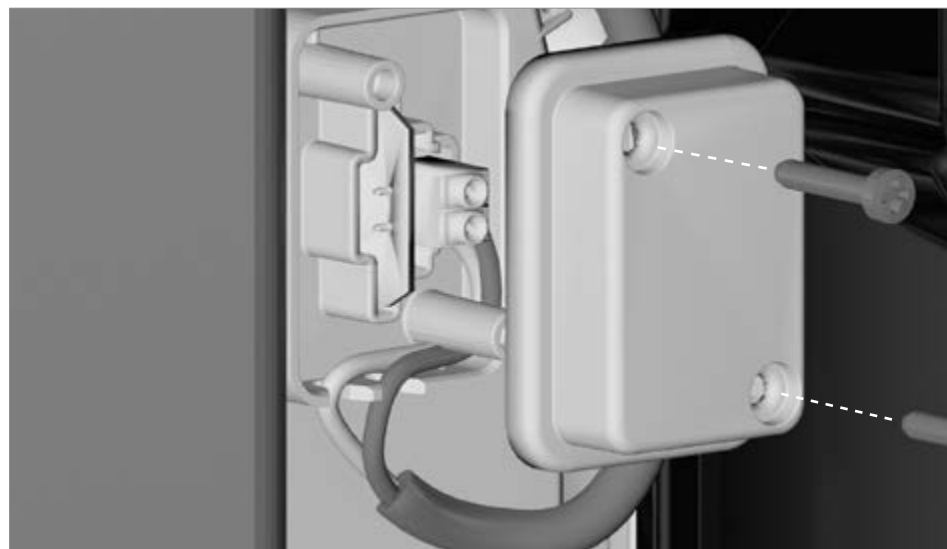


Introduce the electricity cable through the hole at the rear and pull it out from the front.





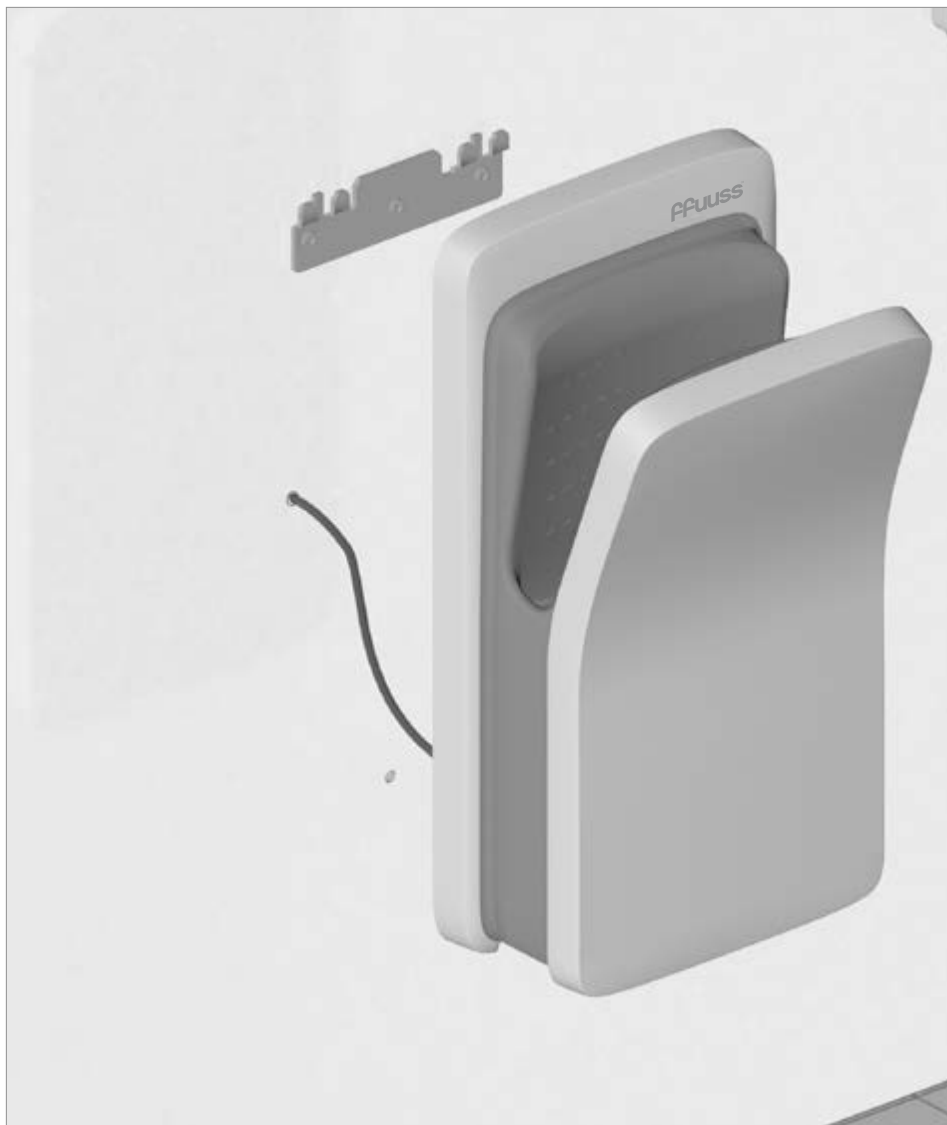
Once the cable has been passed through the hole, connect each end to its respective terminal, placing each one in the right path and then close the box.



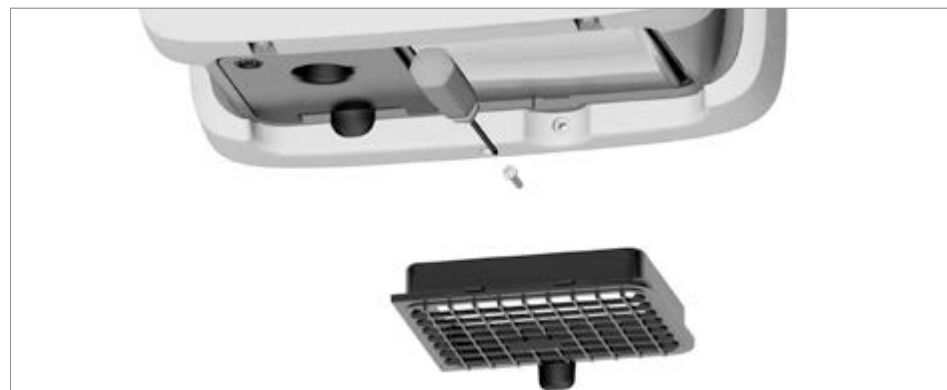


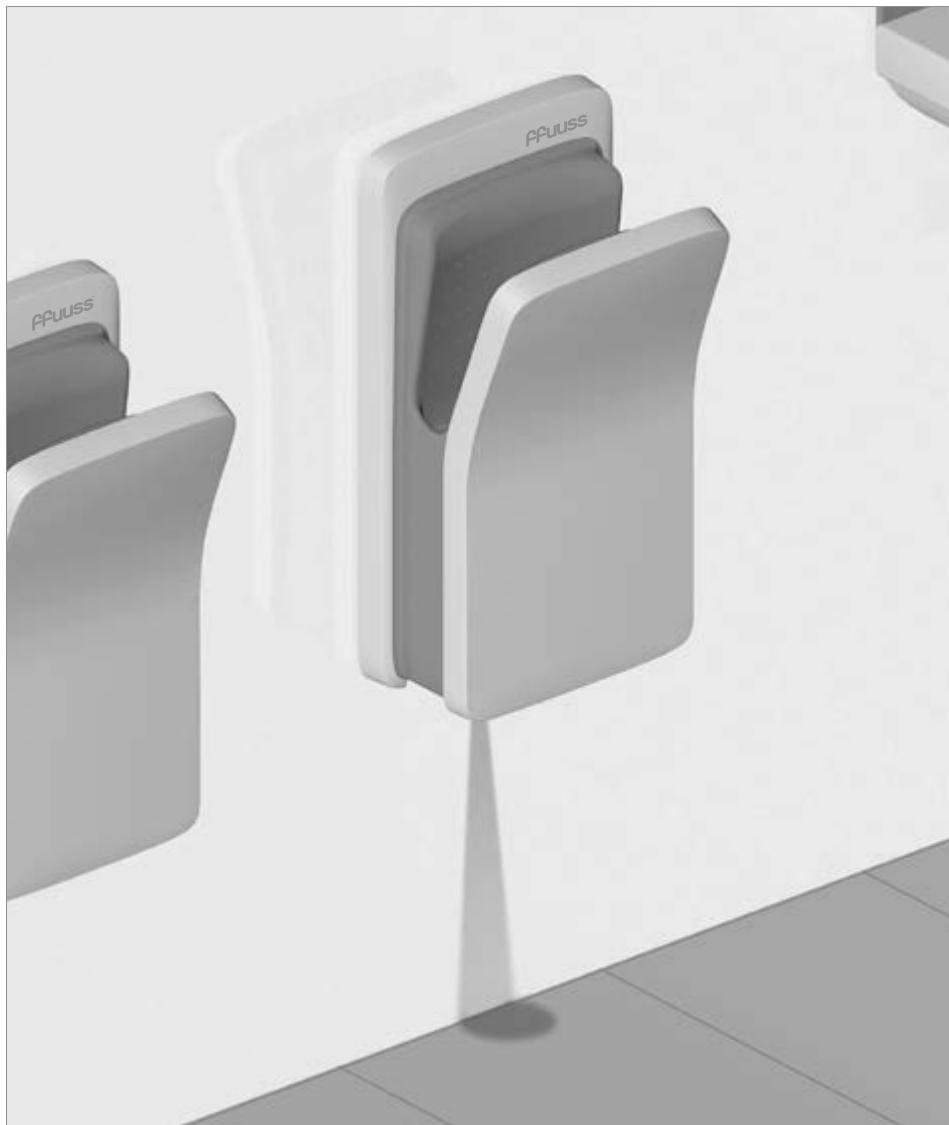
After installing the cable, screw the cover closed.





Place the ffuuss™ hand dryer on the wall mooring, remove the air intake filter and fix the unit via the inner hole. Insert the filter and connect the unit.





When a red spot is reflected on the floor, this means that the water tank is full. Empty the tank and clean it of any possible dirt. Put the tank back. Once the tank is empty, the red light will disappear.





Regularly check the HEPA H13 filter at the base of the ffuuss™ hand dryer, and make sure that it is free of dust, rubbish or other particles. Change the filter when necessary, or at least once per year. Also, make sure that all surfaces of the dryer are cleaned properly to maintain the dryer functioning without interruptions. It is also recommended to clean the drain hole with the supplied brush, everytime the dryer is cleaned. It is recommended to clean all surfaces, the air inlet (filter HEPA H13) and the water tank (cleaning and emptying) once per month.

